



We at Timber Industries would like to be of service to you. You can help us by filling in this brief questionnaire concerning your pallet requirements.

Is your pallet

(please circle appropriate answer)

Stringer or Block construction

Hardwood or Softwood

Nailed or Stapled

Flush or Wing

(If Wing, Single or Double)

Size of Wing _____

(please circle yes or no for the following)

Notched Yes No

Chamfered Yes No

Stenciled Yes No

Branded Yes No

Painted Yes No

Grademarked Yes No

Other pallet requirements _____

Loading

(please circle appropriate answer)

Van or Flat Bed

(If flatbed), Side Loaded or Rear Loaded)

Any Special loading instructions? _____

Quantity

Please indicate the quantity required.

For a single order _____ truck loads.

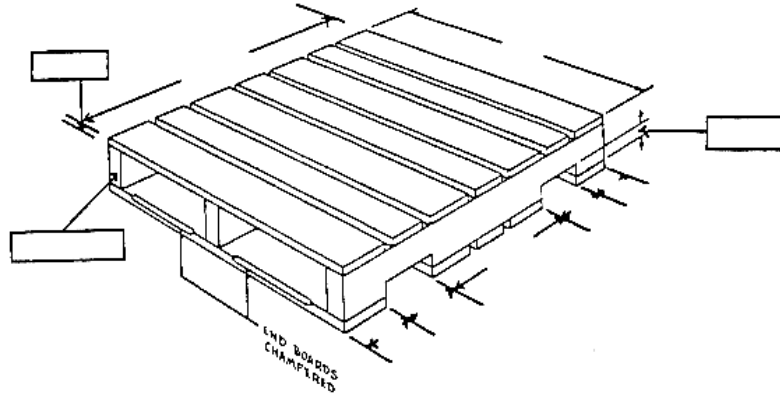
For a recurring order _____ truck loads per _____

Other quantity information _____

Delivery

Date pallets are required: _____

Other delivery request _____



Stringers	_____ pcs.	_____ " x _____ "	_____ " x _____ "
	_____ pcs.	_____ " x _____ "	_____ " x _____ "
Top Deck:	_____ pcs.	_____ " x _____ "	_____ " x _____ "
	_____ pcs.	_____ " x _____ "	_____ " x _____ "
Bottom Deck	_____ pcs.	_____ " x _____ "	_____ " x _____ "
	_____ pcs.	_____ " x _____ "	_____ " x _____ "

Your Name _____

Company _____

Address _____

City, State Zip _____

Phone _____ Fax _____

E-Mail _____

Ship To: (if different than above)

Address _____

City, State Zip _____

Thank you very much for taking the time to complete the questionnaire.

Please fax the completed design to (410) 828-7892.

Also please feel free to call us if you have any questions concerning your pallet design, any pallet problems you are experiencing, or general questions concerning your pallets or lumber.

TIMBER INDUSTRIES, INC.
 Phone: (410) 823-8300
 Fax: (410) 828-7892